



whole-house air quality system

F150E Media Air Cleaner

PRODUCT DATA



FEATURES

- W8600A AIRWATCH filter change indicator.
- High efficiency media filter captures particles as small as 0.3 micron.
- Efficiency ratings based on the American Society of Heating, Refrigerating and Air Conditioning Engineers Standard 52.2-1999.
- Applicable to all gas, oil, and electric forced warm air furnaces and to compressor cooling up to 5 tons.
- Mounts in the return air duct.
- Cabinet can support weight of residential furnace and evaporator coil.
- Requires no electrical connections.
- Mounts in any position.
- Requires no maintenance except periodic media filter replacement.
- Quick and easy media filter replacement.
- Later upgrade to higher performing Honeywell media or electronic air cleaner is easy.

APPLICATION

The F150E Media Air Cleaner captures a significant amount of the air-borne particles from the air circulated through the unit.

SPECIFICATIONS

IMPORTANT

The specifications in this publication do not include normal manufacturing tolerances; therefore, an individual unit may not exactly match the listed specifications. This product is tested and calibrated under closely controlled conditions, and some minor differences in performance can be expected if those conditions are changed.

Model:

F150E Media Air Cleaner includes cabinet, access door and pleated media filter, and W8600A AirWatch™ Indicator.

Application:

Use with gas, oil, and electric forced warm air furnaces and with compressor cooling. Can be used with heat pumps if filter is changed regularly to prevent excessive pressure drop. Not recommended for applications where pressure drop may be critical.

Pressure Drop:

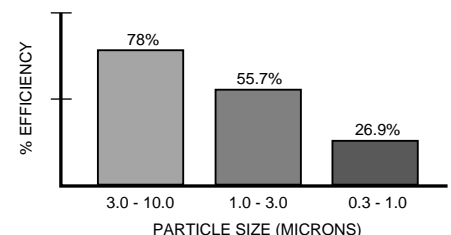
Initial pressure drop at 492 fpm (0.18 in. wc).
Dust fed to 0.5 in. wc pressure drop (72 grams).

Efficiency:

Efficiency Ratings: Based on American Society of Heating, Refrigerating and Air-Conditioning Engineers Standard 52.2-1999.

Minimum Efficiency Reporting Valve (MERV): 8 at 492 fpm.

Initial Efficiency*:



*LMS Technologies Inc. Fractional Efficiency Testing FC100, Year 2000.



Filter Media:

Pleated for greater media capacity.

Capacity And Pressure Drop:

See Fig 2.

Initial Pressure Drop: 0.177 in. wc at 492 fpm.

Temperature Rating:

-40° to +140°F (-40° to +60°C).

Dimensions:

See Fig. 1.

Mounting:

Mounts in any position in the return air duct, usually next to the furnace blower compartment. Cabinet is sturdy enough to support weight of a residential furnace and evaporator coil. Underwriters Laboratories, Inc.:

Listed to UL 900, Class 2.

Included Accessory:

W8600A AirWatch™ Indicator.

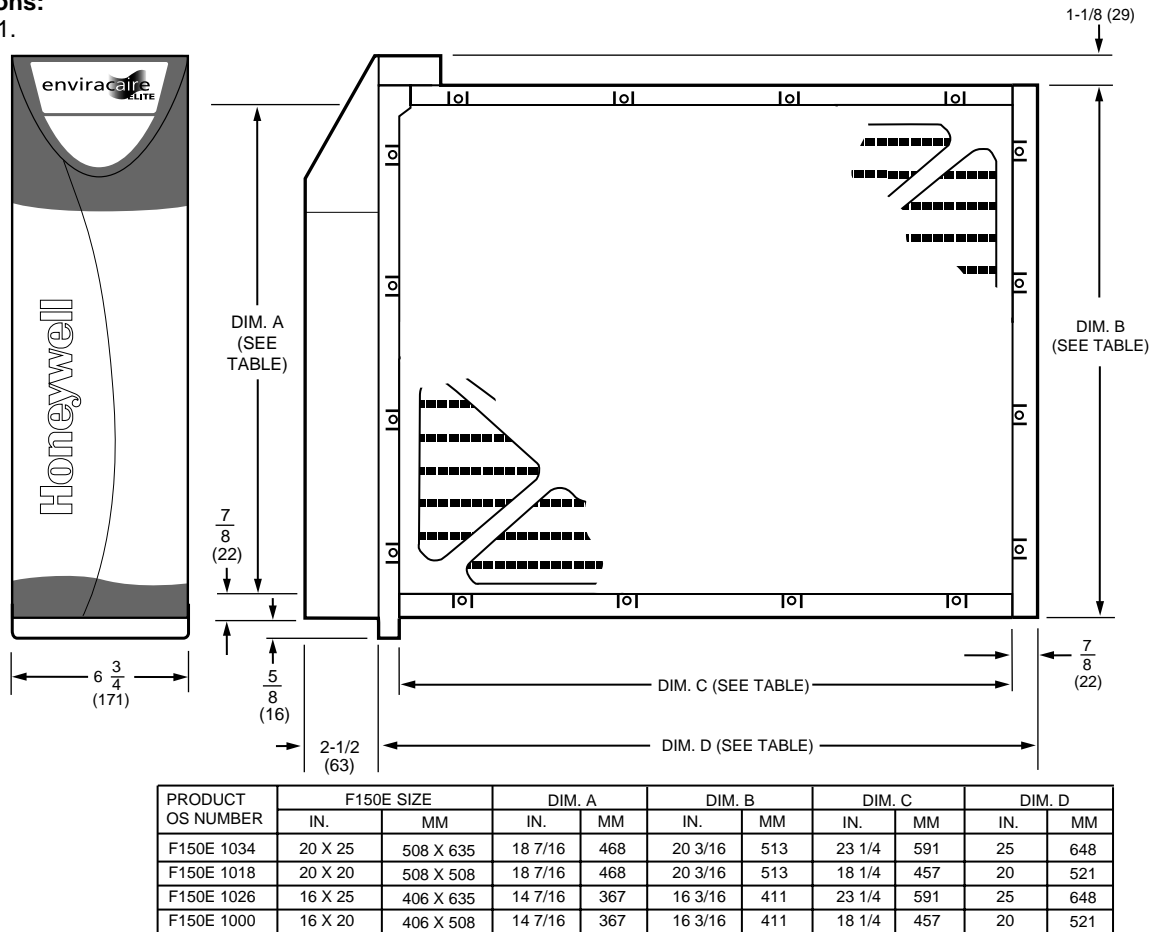


Fig. 1. Installation dimensions in in. (mm) of air cleaner.

M14825

ORDERING INFORMATION

When purchasing replacement and modernization products from your TRADELINE® wholesaler or distributor, refer to the TRADELINE® Catalog or price sheets for complete ordering number.

If you have additional questions, need further information, or would like to comment on our products or services, please write or phone:

1. Your local Home and Building Control Sales Office (check white pages of your phone directory).
2. Home and Building Control Customer Relations
Honeywell, 1885 Douglas Drive North
Golden Valley, Minnesota 55422 1-800-468-1502
3. Website: www.honeywell.com/yourhome/

In Canada—Honeywell Limited/Honeywell Limitée, 35 Dynamic Drive, Scarborough, Ontario M1V 4Z9.
International Sales and Service Offices in all principal cities of the world. Manufacturing in Australia, Canada, Finland, France, Germany, Japan, Mexico, Netherlands, Spain, Taiwan, United Kingdom, U.S.A.

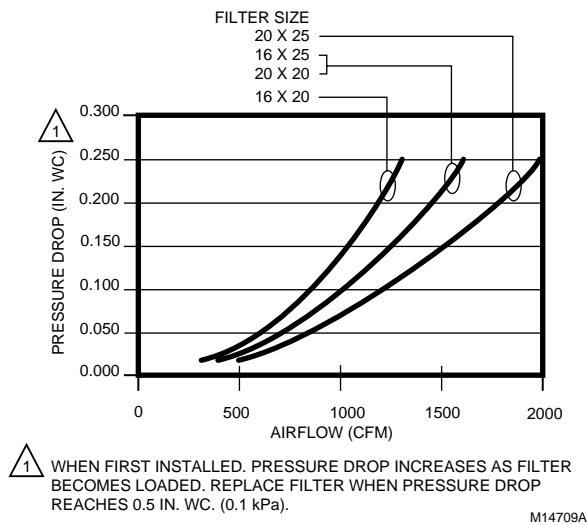
Upgrade Path:

The F150E uses the same cabinet as the F300E Electronic Air Cleaner. Upgrade may require installing the cell key, electronic cells, protective screens and installation and wiring of the power box, depending on model.

Replacement Media:

For optimum system performance, replace the filter every six months (before heating season and before cooling season). Adjust the schedule to you needs, but replace the filter at least annually.

Filter Size (in.)	Part Number
16 x 25	FC100A1029
16 x 20	FC100A1003
20 x 25	FC100A1037
20 x 20	FC100A1011



PLANNING THE INSTALLATION

Location

The media air cleaner should be installed where all the air passing through the system is circulated through it. The best location is in the return air duct next to the blower compartment so the media air cleaner can help to keep the blower motor and evaporator coils clean. Do not mount in the supply air duct.

For most efficient air cleaning, spread airflow evenly across the face of the media. If the duct is a different size than the media air filter cabinet, gradual transitions are required. If the duct turns sharply just before the air filter, turning vanes are required.

Choose a location that is readily accessible for checking and replacing the filter. Allow at least 26 in. (660 mm) clearance in front of the unit for removal of the cartridge.

Install the media air filter where the temperature will not exceed the ratings in the Specifications.

Applications With Air Conditioning

Mount the media air cleaner upstream of the evaporator coil in a cooling system. The filter will help to keep the coil clean and reduce maintenance.

Applications With A Humidifier

The media air cleaner is compatible with humidifiers. Avoid applications where water mist will reach the media. If an atomizing humidifier is used, the filter media will require replacement more often because of minerals in the water.

Choose Mounting Position

The media air cleaner can be mounted in any position, but the arrow on the cartridge must point in the same direction as the airflow. See Figs. 3-10 for proper location of the media air cleaner for a variety of furnace installations. Note that the media air cleaner cabinet is sturdy enough to easily support the weight of the furnace and evaporator coil. See Fig. 4.

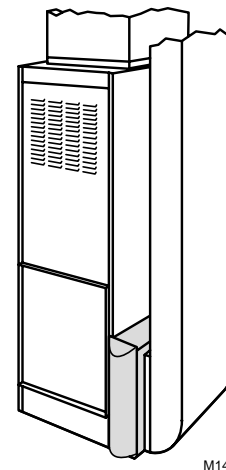


Fig. 3. Highboy furnace, with side installation. Media air filter is mounted vertically where return enters side inlet of furnace.

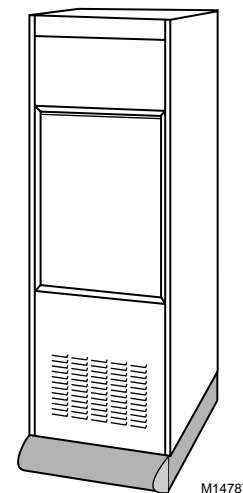


Fig. 4. Highboy furnace, with installation beneath furnace. Media air cleaner is mounted horizontally where return enters from below.

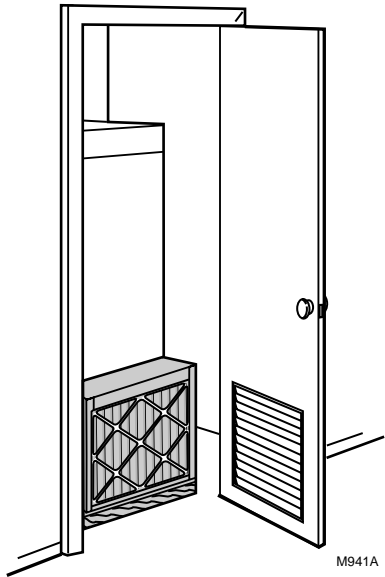


Fig. 5. Highboy furnace, with closet installation. Media air cleaner is mounted vertically on furnace between furnace and louvered return air opening in closet door.

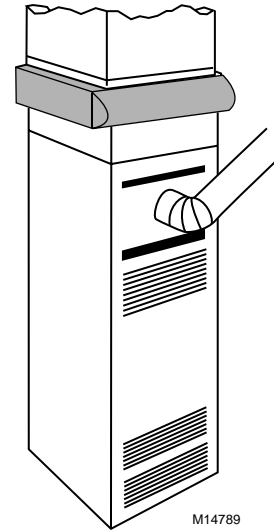


Fig. 7. Counterflow furnace, with media air cleaner mounted horizontally in return duct or plenum just above furnace.

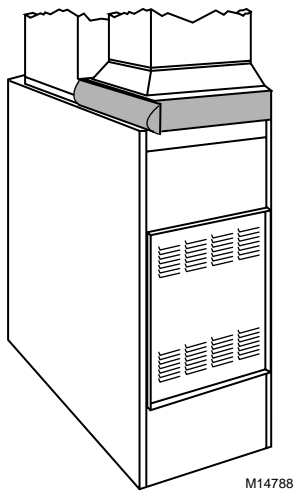


Fig. 6. Lowboy furnace, with media air cleaner mounted horizontally in return plenum just above furnace and opposite heating plenum.

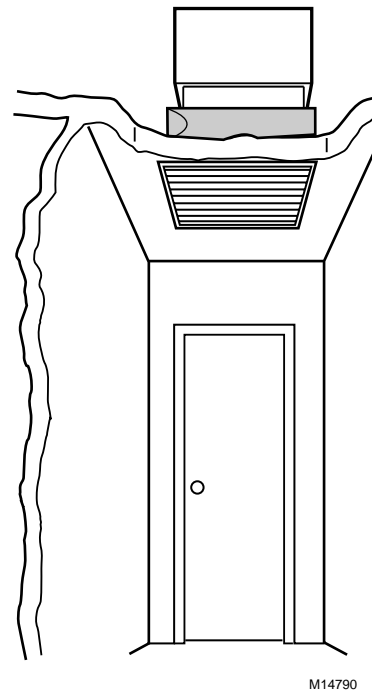
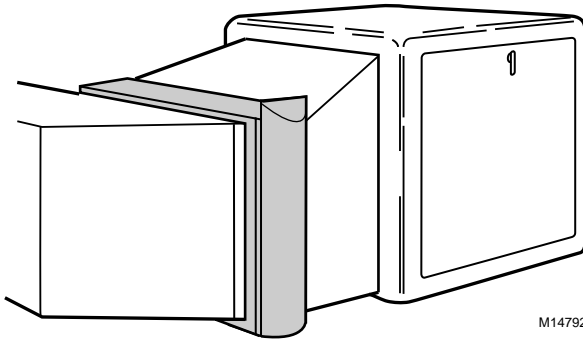
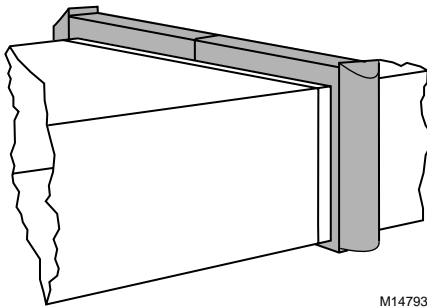


Fig. 8. Central fan installation, with media air cleaner mounted horizontally in central return duct.



M14792

Fig. 9. Horizontal furnace, with media air filter mounted vertically in return duct near furnace.



M14793

Fig. 10. Two or more media air cleaners used in a high capacity system.

Determining Sheetmetal Requirements

The media air cleaner is adaptable to all new or existing forced air heating and cooling systems used in residential applications. Transitions or turning vanes may be required in some applications for effective media air cleaner operation.

Transitions

Transitions are needed when the duct is a different size than the media air cleaner cabinet. Follow these guidelines when fabricating:

1. Use gradual transitions to reduce air turbulence and increase efficiency. See Fig. 11.
2. Use no more than 20 degrees (about 4 in. per running ft. (100 mm per 300 linear mm)) of expansion on each side of a transition fitting.

Turning Vanes

If the media air cleaner is installed next to an elbow or angle fitting, add turning vanes inside the angle to distribute airflow more evenly across the face of the media. See Fig 12.

Offsets

If the duct connection to the furnace in a side installation allows less than 7 in. (178 mm) for mounting media air cleaner cabinet, attach an offset to the elbow. See Fig. 13.

DUCT SIZE CHANGED GRADUALLY TO PREVENT TURBULENCE.

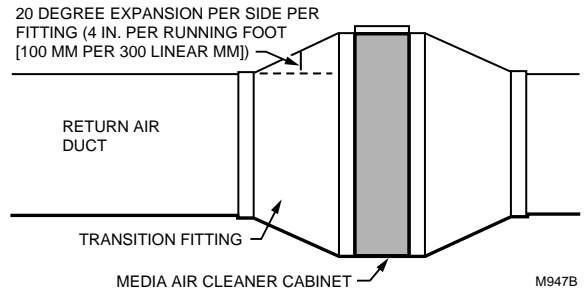


Fig. 11. Duct size changed gradually to prevent turbulence.

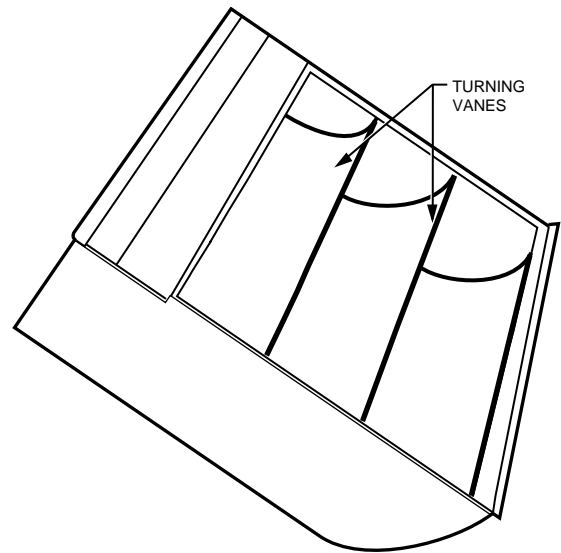
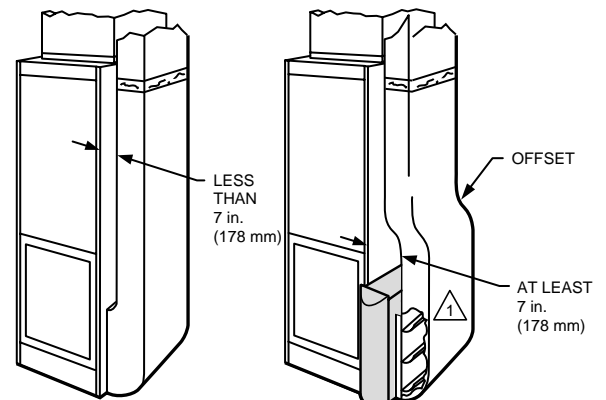


Fig. 12. Turning vanes installed in bend help distribute airflow evenly over face of media.



△ REQUIRED TURNING VANES HELP DISTRIBUTE AIRFLOW EVENLY.
M14794

Fig. 13. Typical use of duct offset to make room for media air cleaner.

INSTALLATION AND CHECKOUT

When Installing this Product...

1. Read these instructions carefully. Failure to follow them could damage the media air filter or cause a hazardous condition.
2. Check the ratings given in the instructions and on the media air cleaner to make sure the product is suitable for your application.
3. Installer must be a trained, experienced service technician.

Remove Furnace Filter And Clean Blower Compartment

Before starting the installation, remove and discard the existing furnace filter (if used). Thoroughly clean the blower compartment. If possible, power vacuum the ductwork to remove accumulated dust in an occupied home or remove construction dirt in a new home. The media air cleaner cannot remove dirt that has settled in the blower compartment and distribution ducts.

Install The Cabinet

The following procedure describes a typical side installation on an existing highboy furnace. Alternate procedures are noted as appropriate. Other changes in installation procedures may be necessary to complete your installation.

Review The Installation Plan

Temporarily place the cabinet on the floor, oriented as it will be when installed. Insert and remove the cartridge to make sure the plan allows adequate clearance for easy removal and replacement of the cartridge.

Make sure that shop-fabricated sheetmetal components, such as turning vanes, are available.

Fasten The Cabinet To The Furnace

Align the cabinet with the return air opening. Place blocks under the cabinet, as necessary, to make sure the unit sits securely. Create an opening in the furnace to match the cabinet opening. Attach the cabinet securely to the furnace. Attach the unit directly or fit a starting collar in the furnace opening. Either drill holes and fasten with sheetmetal screws or rivets, or use slip joints. If you are drilling holes, use a locking pliers to help hold the unit in place during drilling.

Install Turning Vanes

Install turning vanes to help distribute air equally over the full surface of the upstream side of the media. Install them whenever an abrupt 90 degree elbow is installed directly against the media air cleaner cabinet.

Fasten Cabinet To Ductwork

Fasten side of cabinet to the ductwork using sheet-metal screws, rivets, or slip joints, as appropriate.

Connect Ductwork

Connect the vertical duct section to the elbow. If the vertical drop of the duct is less than 7 in. (178 mm) from the side of the furnace, shorten the horizontal trunk or attach an offset fitting to the elbow. See Fig. 12. When ductwork is properly aligned, connect the vertical duct to the horizontal trunk.

Seal Joints

Seal all joints in the return air system between the media air filter and the furnace to prevent dust from entering the clean airstream.

Install Filter Cartridge

Slide the filter cartridge into the cabinet, making sure the arrow on the cartridge points in the direction of air flow.

Replace access door. Insert the tab on the bottom of the door into the slot in the cabinet. Swing the door closed and press it into place.

Install W8600A AIRWATCH™ Indicator

Mount the W8600A next to the thermostat or any other convenient location in the living area of the home. The device is battery-operated so has no electrical requirements.

Remove the device from the base and mark the mounting holes, using the base as a template. Drill the holes. Position the base over the holes and install the mounting screws provided. Tighten the screws until the base is mounted firmly on the wall. Replace the device onto the base.

Set the DIP switches on the back of the W8600A according to the equipment installed in the home. Use the default settings when all devices (air cleaner, UV air treatment system, and humidifier) are installed. Or move the DIP switch to off (left) when a device is not installed.

NOTE: The UV air treatment system and the humidifier settings are set for one year. The air cleaner settings are selectable according to homeowner activities and schedule.

Set the air cleaner filter time DIP switches for 3, 6, 9 or 12 months according to the information on the back of the device. Leave the factory default DIP switch settings to change the filter every three months. If no air cleaner filter is installed, move DIP switch 4 and 5 settings to off (left).

Install two AAA alkaline batteries (provided) in the harness on the back of the device. Observe that the device performs a self-test, beeping and flashing the LC display individually for each device (air cleaner, UV air treatment system, humidifier) installed in the home. Then press and hold the black reset button on the bottom of the device for five seconds or until the display stops flashing to start the timers. Observe the battery LCD: on solidly means that the unit is correctly powered; flashing indicates that the battery requires replacing.

Checkout

Visually check the installation. Make sure:

- Airflow is in the direction of the arrow on the media air filter cartridge.
- Turning vanes and transitions, if used, are properly installed.
- Joints in sheetmetal between media fir filter and furnace are sealed.
- All sheetmetal connections are complete.
- Original furnace filter has been removed and blower compartment is cleaned.

Replace any access doors removed during the Installation or Checkout.

Run the furnace or cooling system through one complete cycle to make sure the system operates as desired.

Maintenance

The W8600A beeps every fifteen minutes when an LCD is flashing. Replace the part in the system that corresponds with the flashing LCD.

NOTE: When batteries need replacing, replace them within 30 seconds of removal to maintain the correct indicator time. After 30 seconds of replacing the batteries, if the LCD is blank, remove and install new batteries. For other parts, press and hold the black button on the bottom of the device to reset the timer after replacing parts.

The media filter must be replaced when pressure drop across the media filter reaches 0.5 in. w.c. (0.1 kPa). or at least annually. If the media air cleaner is installed downstream from an atomizing humidifier or if the installation includes both heating and cooling, more frequent replacement may be necessary. Clogged media must be replaced promptly to avoid restricting airflow and reducing efficiency of the heating-cooling system. Record the replacement date in the space provided on the replacement media filter.

LCD	If arrow is flashing or unit is beeping	Reset by...
Battery	Batteries need changing.	Changing batteries within 30 seconds of removing old batteries to maintain correct indicator time.
Air Cleaner	Media filter needs replacing.	Pressing and holding reset button for 10 seconds or until arrow is no longer displayed.
UV Air Treatment	UV lamps need replacing in UV air treatment system.	Pressing and holding reset button for 10 seconds or until arrow is no longer displayed.
Humidifier	Humidifier pad needs replacing.	Pressing and holding reset button for 10 seconds or until arrow is no longer displayed.

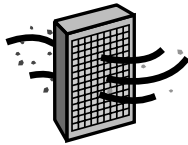
Honeywell

Choose better indoor air for your family by installing Honeywell solutions. You'll enhance your comfort and peace of mind.



Ultraviolet Air Treatment Systems

Zap airborne germs and prevent mold spore growth on air conditioning coils



Whole-House Air Cleaners

Trap a high percentage of airborne particles of the air passing through it



Whole-House Humidifiers

Moisturize air—40% to 60% humidity is ideal for minimizing adverse health effects



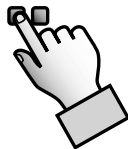
Zoning Systems

Control temperature by area in your home, saving energy and improving comfort



PerfectWindow® Air Exchangers

Ventilate your home to assure fresh air while minimizing energy loss



Programmable Thermostats

Save up to 30% in annual energy costs with this easy-to-use thermostat*

*depending on geography and usage

M18621

Honeywell

Home and Building Control
Honeywell
1985 Douglas Drive North
Golden Valley, MN 55422

Home and Building Control
Honeywell Limited-Honeywell Limitée
35 Dynamic Drive
Scarborough, Ontario
M1V 4Z9

